

Product Specifications | ADA Tables

Wheelchair Access

To comply with ADA regulations for wheelchair access to tables WCI recommends a minimum clearance of 27" from the floor to the bottom of the table; a minimum 30" barrier free width and a minimum barrier free depth of 19". In addition there must be a minimum of 30" unobstructed space from the table edge. Overall table height cannot exceed 34".

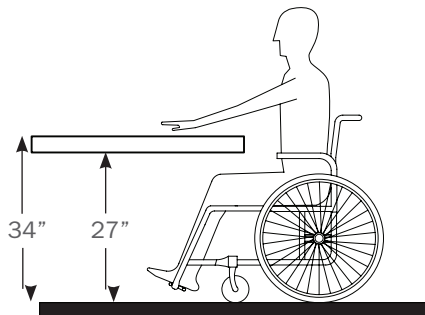
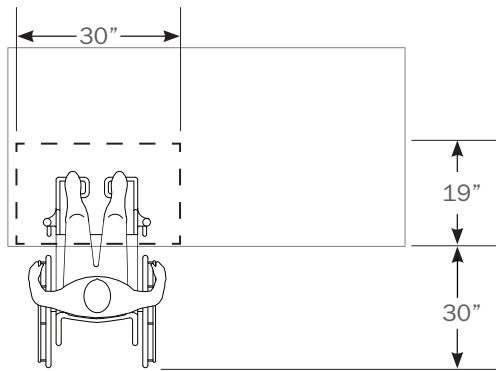
For more information on ADA requirements, the following websites may be useful:

National Network of ADA Centers: www.adata.org

U.S. Justice Department - ADA Home Page: www.ada.gov

ABA and ABA Guidelines Home Page: www.access-board.gov/ada-aba

Minimum Clearance Recommendations



WCI ADA Table Recommendations

42" x 42" Post leg square table (P04242SQ)

23" x 39" Bistro ADA rectangle table (BI2339REOD)

30" x 48" T-base rectangle table (DUT3048RE, ALT3048RE, MAT3048RE, PRT3048RE, SLT3048RE, SVT3048RE, TUT3048RE)

ADA Logo

The ADA logo is standard on the Bistro Outdoor rectangle table. The blue ADA symbol is 1.75" high x 5" wide and is inset from the front table edge on the right-hand side (from seated position).

Drawing is not to scale.

Please offer this table
to our customers
with disabilities

